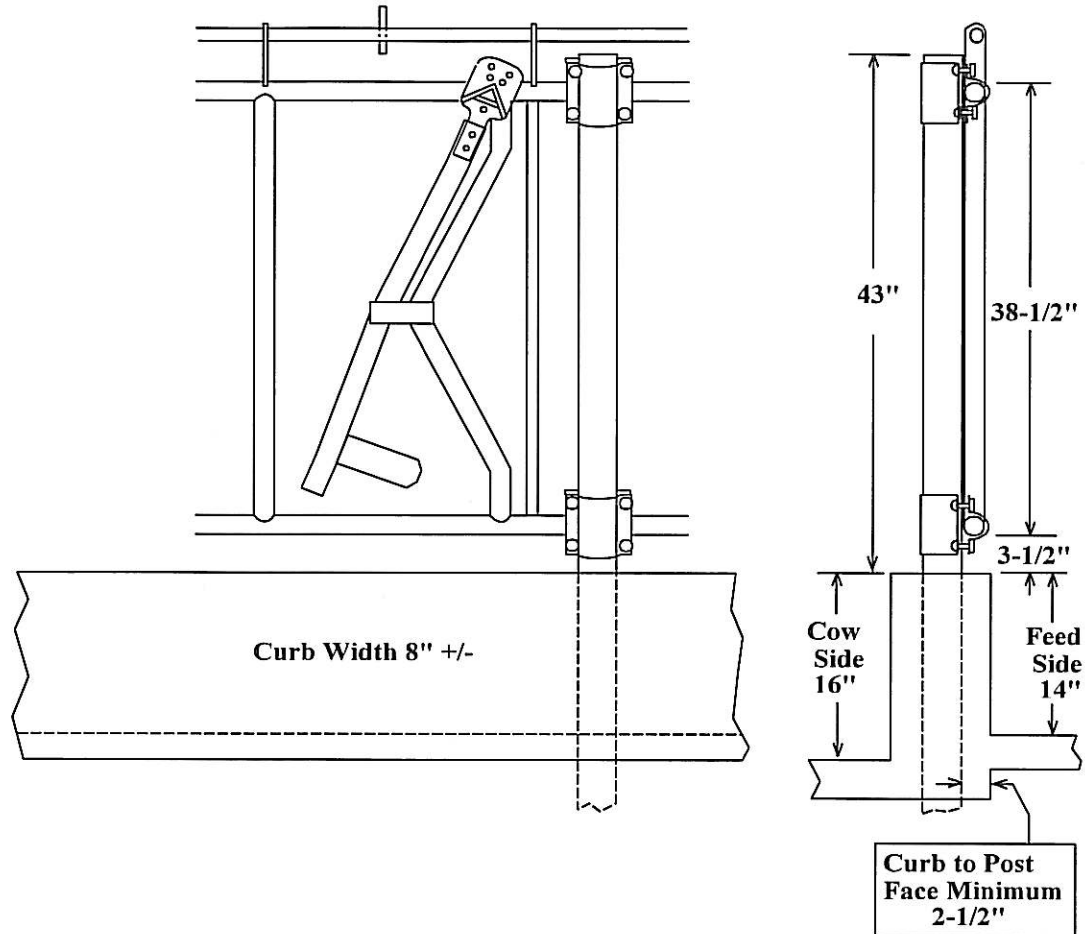


STANDARD "SLTP" POST AND PANEL INSTALLATION GUIDE



1. Put the first section in place and install clamps on the first post. Tighten snugly, but not fully (note item (4) four). Make sure all sections are facing the same way when installing. Try, although not absolutely necessary, to have the stanchion moveables fall with the slope of curb.
2. Place 1" x 5" connecting pipe (included with order - has dimple in center to prevent full insertion) in the ends of the top and bottom horizontal rails.
3. Slide the next section of stanchions over the connecting pipe stubs, and clamp top and bottom, same as in procedure (1) one.
4. When all sections are installed, align sections (the straighter the better) and fully tighten clamps. Clamps are considered tight when there is an approximate 1/4" gap between the two parts, with the exception of the top clamp where the top two bolts should be tightened first drawing the two pieces completely together.
5. Install handle assembly. (Refer to handle installation sheet)