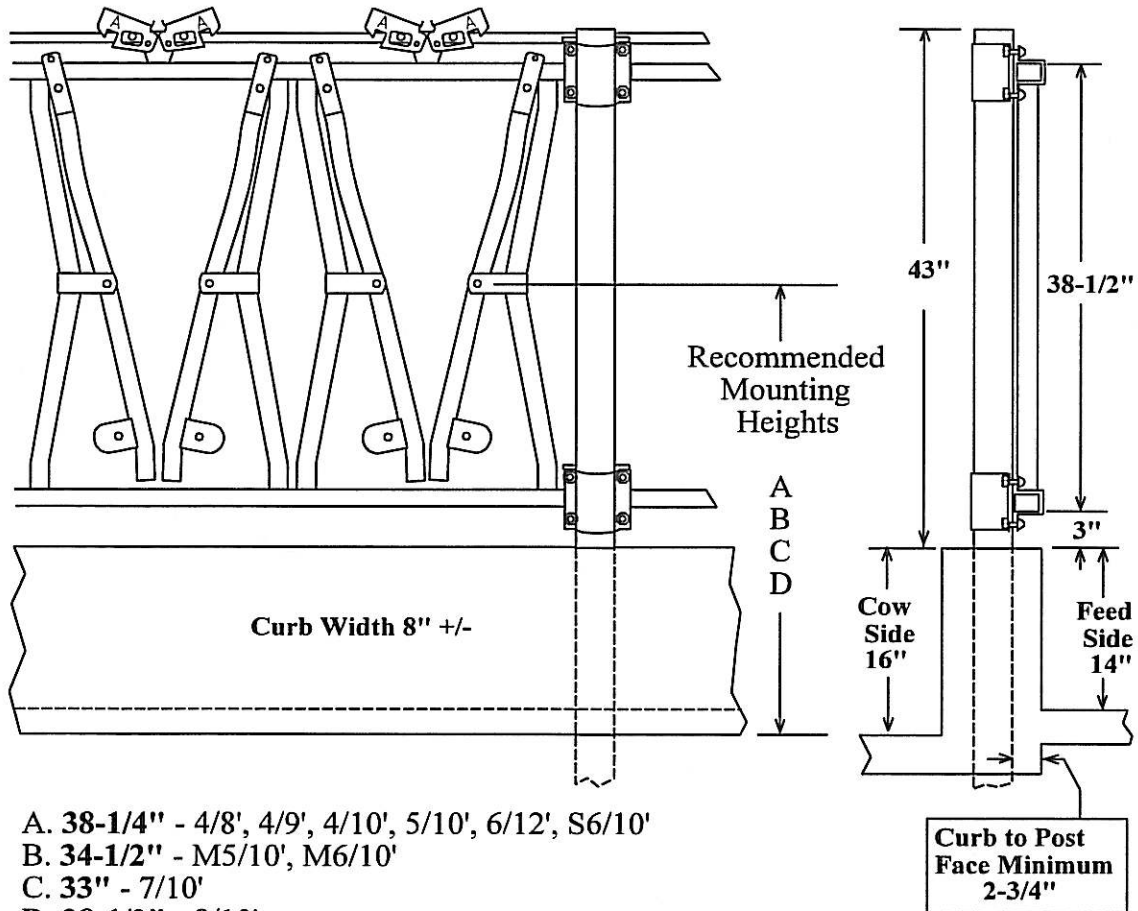


## STANDARD "SLAC" HEADLOCK INSTALLATION



1. Put the first section in place and install clamps on the first post as illustrated in the clamp drawing with nuts finger tightened only. Make sure all sections are facing the same way when installing using the swaged end of the top rail as a guide. Proper installation requires the carriage head of the pivot bolt to be on the feed side.
2. Determine handle location. This handle must be installed as the panels are hung. One handle should not operate more than 50 holes in either direction.
3. Place the next section of stanchions inside the alignment clips from the previous section, and clamp top and bottom, same as in procedure (1) one.
4. When all sections are installed, align sections (the straighter the better) and fully tighten clamps. Clamps are considered tight when there is an approximate 1/4" gap between the two parts, with the exception of the top clamp where the top two bolts should be tightened first drawing the two pieces completely together for top rail clearance.